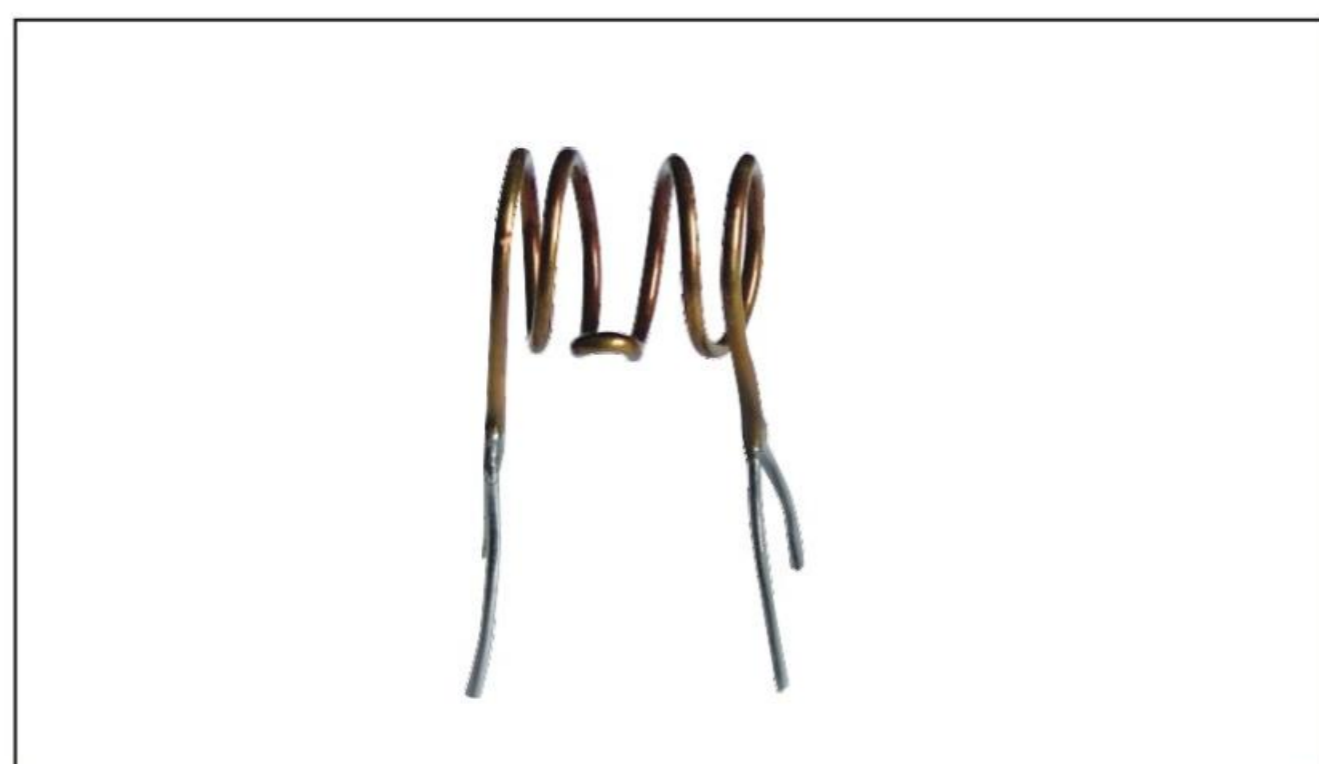


# RX79 precision wire-wound resistors



## Features

- Low resistance value
- Close accuracy
- Low temperature coefficient
- Copper terminal with perfect solderability

## Applications

- Used in meters and instruments

## Dimensions

Type	Dimensions(mm)						
	L ± 1	RM ± 1	H ± 1	D ± 1	h ± 1	d ± 0.2	T ± 1
RX79-1	13	12	32	12.5	15	0.8	12
RX79-2	13	12	32	12.5	15	1.0	12
RX79-6	28	25	55	17	20	3.0	12.5

※Above dimensions can be changeable if requested by customer.

## Technical Specifications

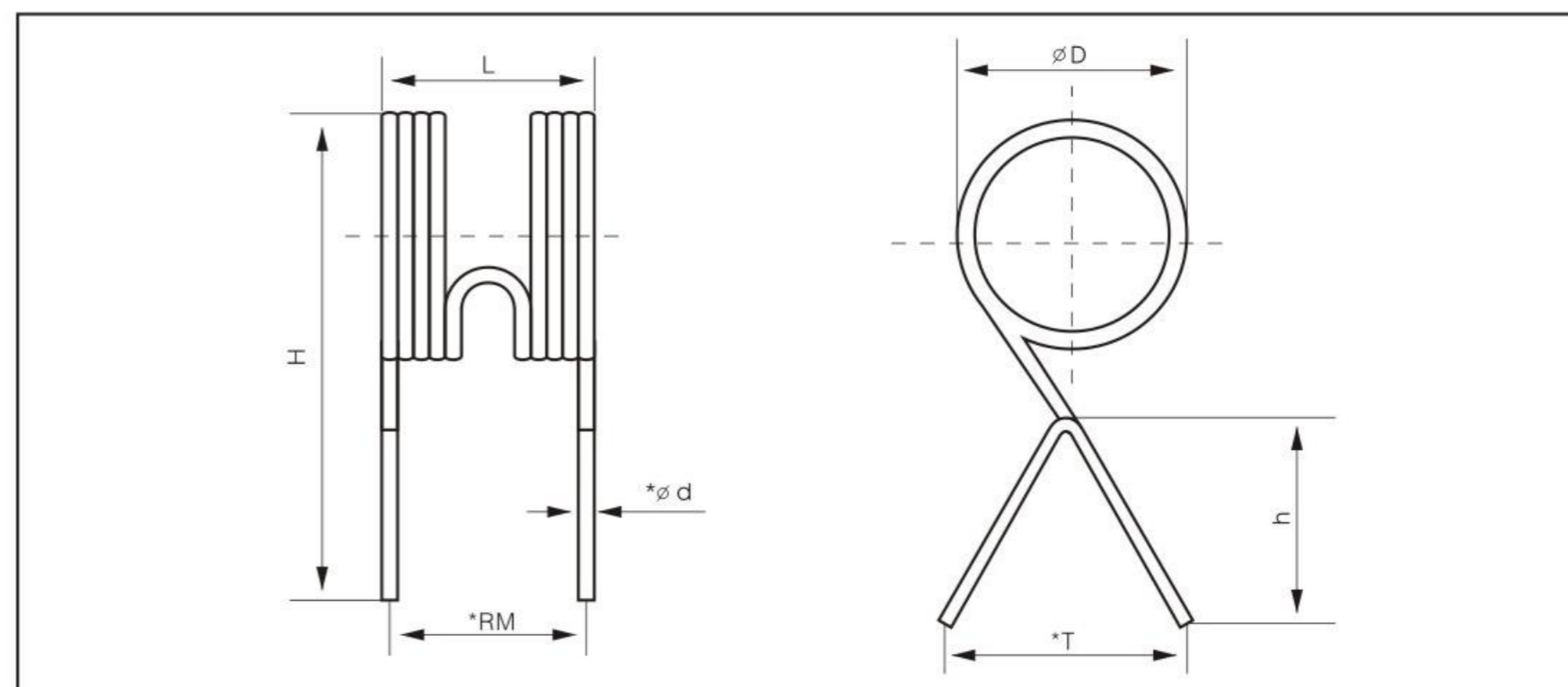
Type	Rated power(w) Ambient temperature=70°C	Resistance Range(Ω)		Tolerance	Temperature coefficient (10 <sup>-6</sup> /K)
		Min	Max		
RX79-1	1.0	R01	R10	± 0.1%(B) ± 0.25%(C) ± 0.5%(D) ± 1%(F)	± 10
RX79-2	2.0	R01	R10		± 20
RX79-6	6.0	R01	R10		± 25 ± 50

## How To Order

Example

RX79	1	1W	R05	± 0.5%	± 25(10 <sup>-6</sup> /K)	box
Type	Style	Power	Nominal Value	Tolerance	TCR	Packaging
RX79	1 2 6	1W 2W 6W	R05	± 0.1% ± 0.25% ± 0.5% ± 1.0%	± 10(10 <sup>-6</sup> /K) ± 20(10 <sup>-6</sup> /K) ± 25(10 <sup>-6</sup> /K) ± 50(10 <sup>-6</sup> /K)	box

## Construction



## Reference Standards

Q/ATK066

## Derating Curve

