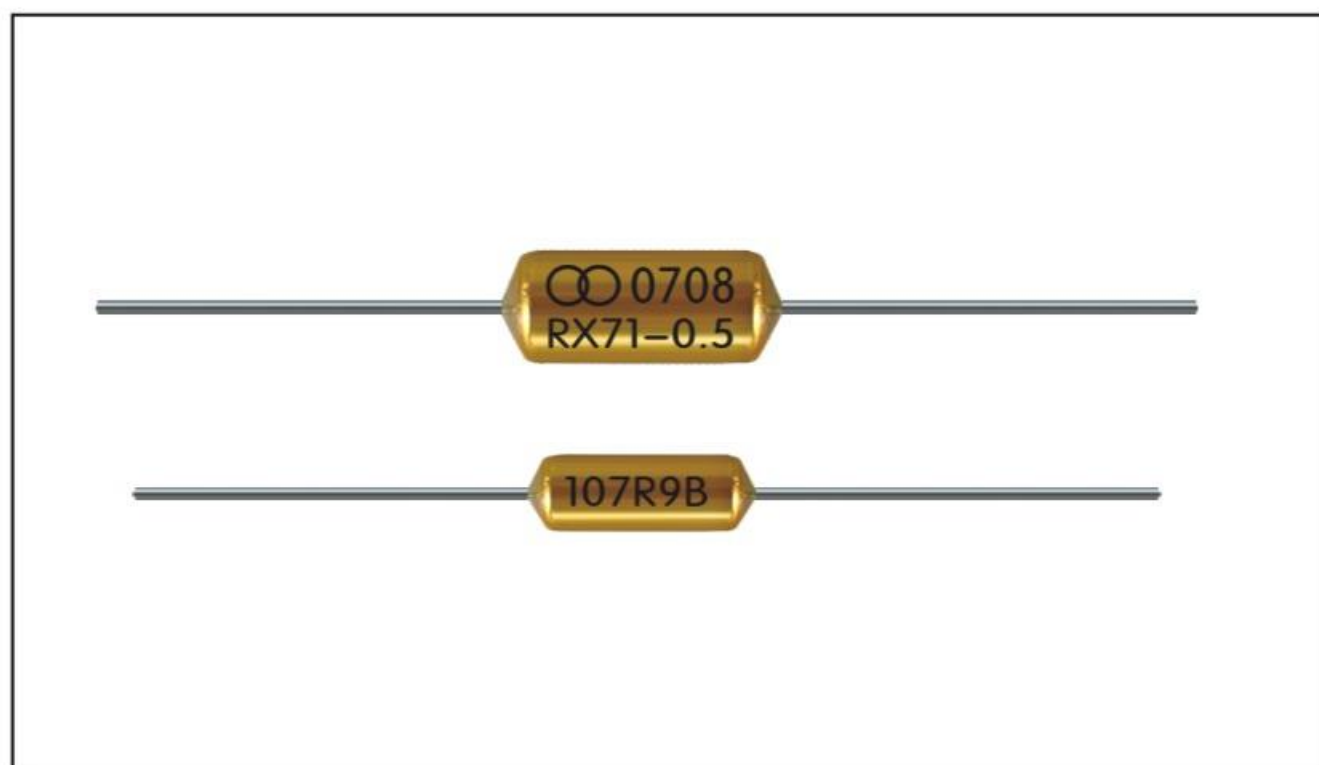
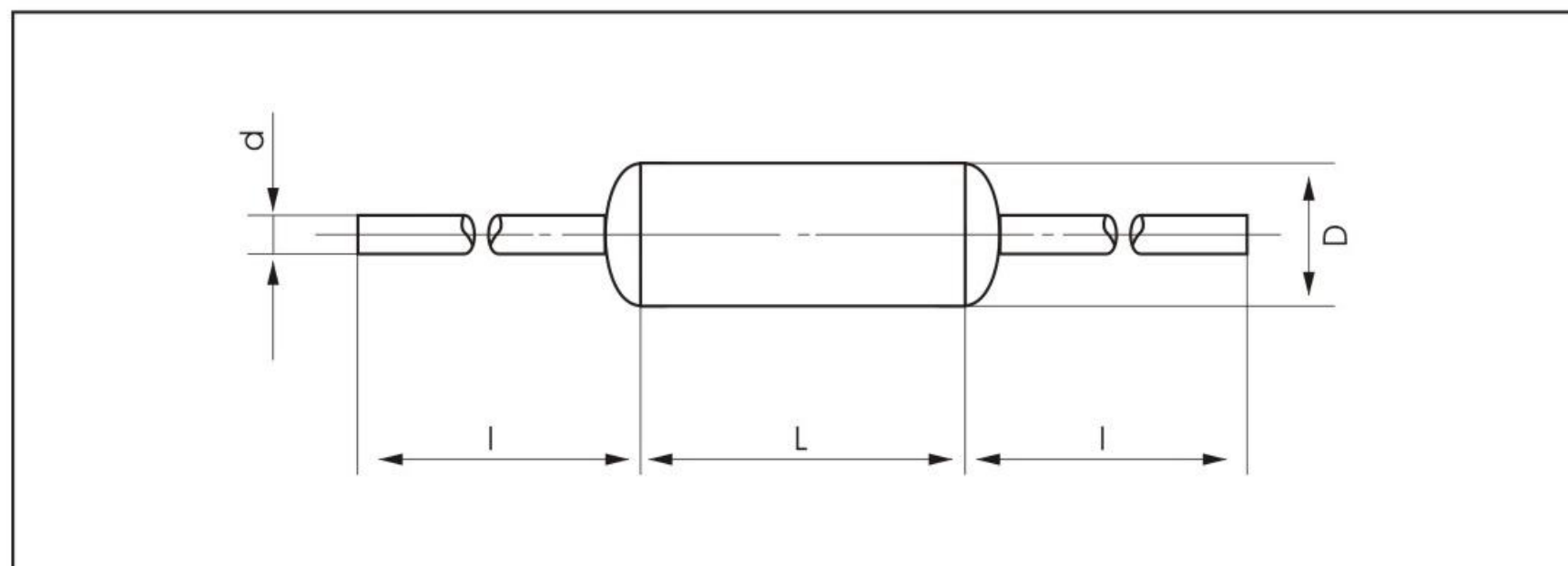


# RX71 precision wire-wound resistors



## Construction



## Features

- Meets IEC standards
- Resistance value series according to E series of IEC63
- Excellent stability and reliability up to 0.5% and  $1 \times 10^{-5}/h$
- Precision accuracy and low temperature coefficient
- Aluminium housed

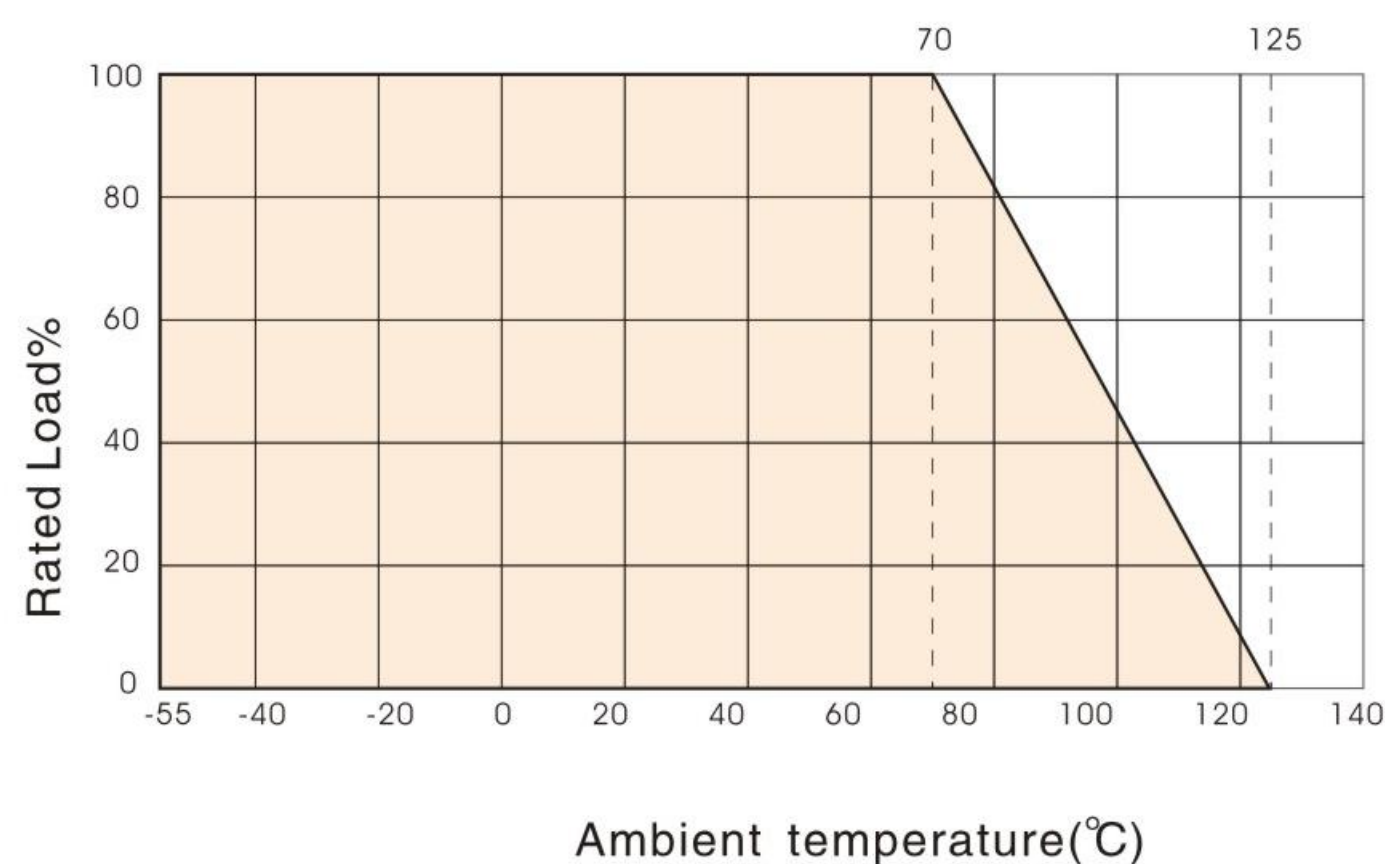
## Applications

- Used in meters and instruments

## Reference Standards

GB/T5729-2003  
GB5734-85

## Derating Curve



## Technical Specifications

Type	Power (W)	Resistance Range ( $\Omega$ )	Tolerance (%)	T.C.R ( $10^{-6}/K$ )	Size(mm)				Limiting Voltage (DC or AC RMS.)	Insulation Voltage (DC or AC Peak)
					Body		Terminal			
					Dmax $\pm 0.3$	Lmax $\pm 0.3$	d	l		
RX71 (RXJX)	0.25	1~100K	$\pm 0.05(W)$ $\pm 0.1(B)$	$\pm 15$ $\pm 20$ $\pm 25$	5.5	12	0.8	25 $\pm 5$	200	280
	0.5	1~300K	$\pm 0.25(C)$ $\pm 0.5(D)$		7.5	15			350	500
	1	1~1M	$\pm 1(F)$		10	23			500	700

## How To Order

Example

RX71	0.5W	1K $\Omega$	$\pm 0.05\%$	$\pm 25(10^{-6}/K)$	
Type	Power	Nominal Value	Tolerance	TCR	Packaging
RX71	0.25W 0.5W 1W	1K $\Omega$	$\pm 0.05\%$ $\pm 0.1\%$ $\pm 0.25\%$ $\pm 0.5\%$	$\pm 10(10^{-6}/K)$ $\pm 25(10^{-6}/K)$	box