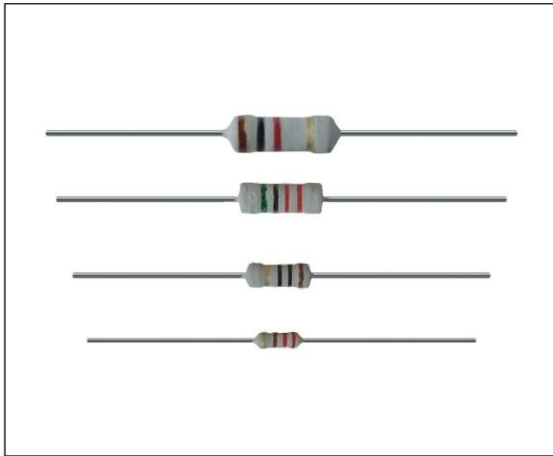
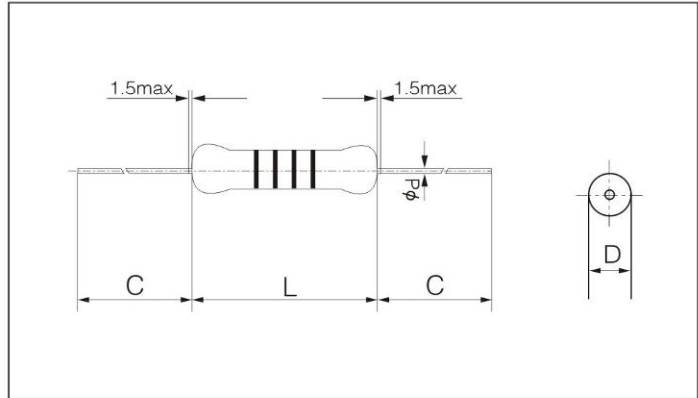


RYG1/2(RJ20) power metal film resistors



Construction



Characteristics

- Excellent overload characteristic used in impulse circuit
- Excellent anti-oxidation
- Excellent thermal stability
- Creyflame-retardant coating colour code marking available.

Dimensions (mm)

size	Lmax	Dmax	d ± 0.05	C ± 3
RJ20-1W	14	5.5	0.8	33.0
RJ20-2W	17	6.5	0.8	32.0
RJ20-3W	26	9.5	0.8	28.0
RYG1-1/2W	10.5	4.0	0.6、0.7	25.0
RYG1-1W	14	5.5	0.8	33.0
RYG1-2W	17	6.5	0.8	32.0
RYG1-3W	26	9.5	0.8	28.0
RYG2-1/2W	7.0	2.7	0.6	25.0
RYG2-1W	10.5	4.0	0.7	25.0
RYG2-2W	14	5.5	0.8	33.0
RYG2-3W	17	6.5	0.8	32.0
RYG2-5W	26	9.5	0.8	28.0

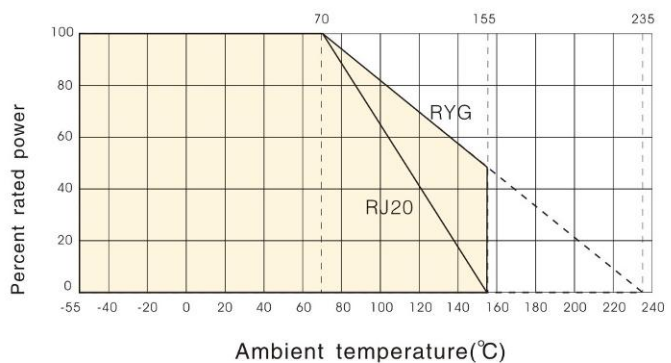
Applications

- Precised meters, instruments, electric equipments, impulse circuit

Reference Standards

RYG1: SJ/T10618-1995
 RYG2: SJ/T10619-1995
 RJ20: SJ2868-88

Derating Curve



RYG1/2(RJ20) power metal film resistors



Technical Specifications

Type	Rated Power	Max Working Voltage	Insulate Voltage	Res.Ranges	TCR (10 ⁻⁶ /K)	Tolerances
RJ20-1W	1W	350V	500V	1Ω~100kΩ	± 250	± 2% ± 5%
RJ20-2W	2W	350V	500V			
RJ20-3W	3W	500V	700V			
RYG1-1/2W	1/2W	250V	350V	1Ω~75kΩ	± 250	± 2% ± 5%
RYG1-1W	1W	350V	500V	1Ω~100kΩ		
RYG1-2W	2W	350V	500V	1Ω~120kΩ		
RYG1-3W	3W	500V	700V	1Ω~150kΩ	± 350	± 2% ± 5%
RYG2-1/2W	1/2W	250V	250V	1Ω~22kΩ		
RYG2-1W	1W	350V	350V	1Ω~68kΩ		
RYG2-2W	2W	350V	500V	1Ω~68kΩ		
RYG2-3W	3W	500V	500V	1Ω~100kΩ		
RYG2-5W	5W	500V	700V	1Ω~100kΩ		

Performance

Test Item	Specifications	Test method
		GB/T5729-2003 IEC115-1
Short time overload	$\Delta R \leq \pm(1\%R+0.05\Omega)$	2.5V _R , 5s
Rapid change of temperature	$\Delta R \leq \pm(1\%R+0.05\Omega)$	-55°C/125°C, 30min 5cycle
Leaching	$\Delta R \leq \pm(1\%R+0.05\Omega)$	350 ± 10°C, 3.5 ± 0.5s
Climatic category	$\Delta R \leq \pm(5\%R+0.1\Omega)$	125°C, 16h/55°C, RH93 ± 3%, 24h/ -55°C, 2h/15~35°C, 8.5Kpa, 1h
Endurance at 70°C	$\Delta R \leq \pm(5\%R+0.1\Omega)$	70 ± 2°C, P _R , 1000h

How To Order

Example

RYG	1/2	1/2W	10R	± 1%	± 250(10 ⁻⁶ /K)	Plastic bags
Type	Style	Power	Nominal Value	Tolerance	TCR	Packaging
RYG1 RYG2 Rj20	1/2 1 2 3 5	1/2W 1W 2W 3W 5W	10R	± 2% ± 5%	± 250(10 ⁻⁶ /K) ± 350(10 ⁻⁶ /K)	bag tape

Packaging: Plastic recloseable bags (moq: 30pcs).